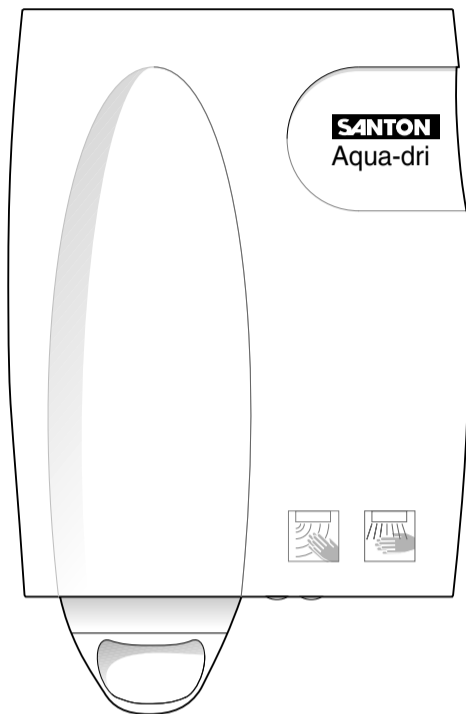


SANTON Aqua-dri

ELECTRIC HAND DRIER INSTALLATION and USER INSTRUCTIONS

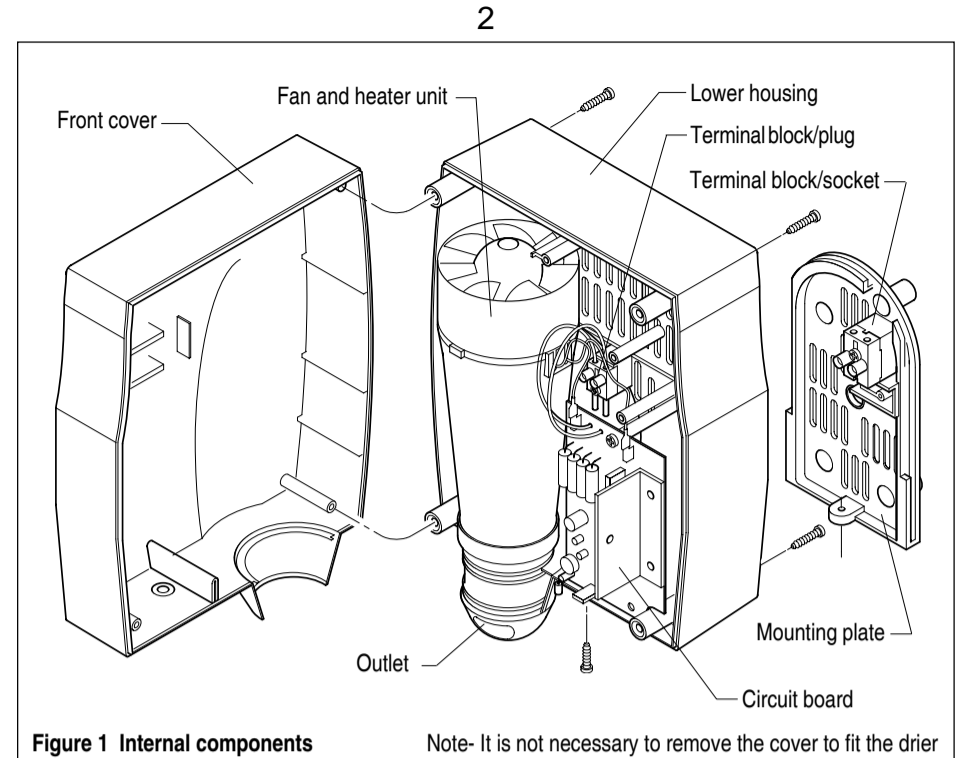
Model - Aqua-dri 1.5 kW 94 020 009



PLEASE READ AND UNDERSTAND THESE INSTRUCTIONS BEFORE COMMENCING INSTALLATION

PLEASE LEAVE THESE INSTRUCTIONS WITH THE USER

36005832 issue 1



TECHNICAL SPECIFICATION

1.1 CONNECTIONS

Cable entry point - at rear

1.2 ELECTRICAL

Nominal Power Rating

230V	240V	Minimum cable size
6.1A / 1400W	6.4A / 1500W	1.5mm ²

1.3 MATERIALS

Lower housing, cover and mounting plate -

Impact resistant ABS

1.4 AIRFLOW AND NOISE

Noise emission - 69dB(A)

Max. air volume - 15l/s

Max. air velocity - 16m/s

1.5 STANDARDS AND APPROVALS

Complies with the requirement of EN 60335-2-23.

Complies with European Community Directives (CE).

FEATURES

Fully automatic no-touch ON/OFF switching.

Safety temperature limiter.

Thermal fusible cutout.

Impact resistant plastic case.

DIMENSIONS

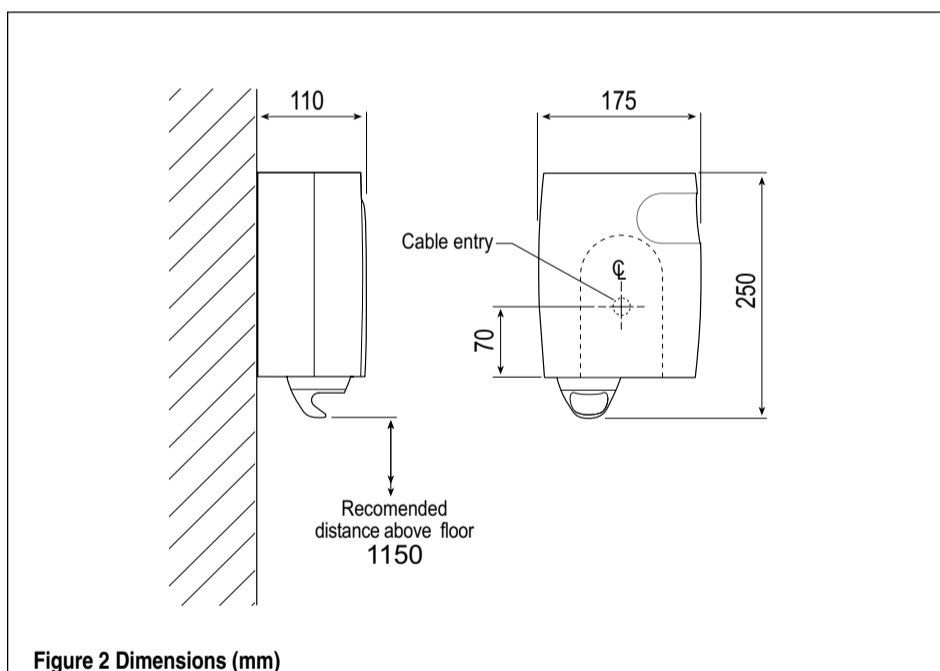


Figure 2 Dimensions (mm)

2 SAFETY

IMPORTANT INFORMATION

2.1 Products supplied by Santon are manufactured to British and European Standards and are safe and without risk provided they are installed, used and maintained in good working order in accordance with our instructions and recommendations.

2.2 Read all of these instructions before starting to fit the drier.

2.3 Ensure that all instructions concerning safety are observed to prevent accidents and to protect the unit against damage.

2.4 Read these instructions before using the drier.

2.5 Pass on these instructions to subsequent owners of the drier.

2.6 Keep plastic bags out of reach of children (danger of suffocation)

2.7 Ensure all packaging is recycled where possible.

2.8 Be aware that improper use of this unit can present hazards that children cannot recognise.

2.9 ISOLATE the electrical supply to the drier before cleaning.

2.10 Do not use a water jet or wet sponge or other methods of cleaning that could cause liquid to enter the casing. Liquid entering the case will present an electric shock hazard and damage the unit.

2.11 ISOLATE the electrical supply before removing the drier from its mounting plate.

2.12 ISOLATE electrical supply BEFORE proceeding with installation or servicing.

4

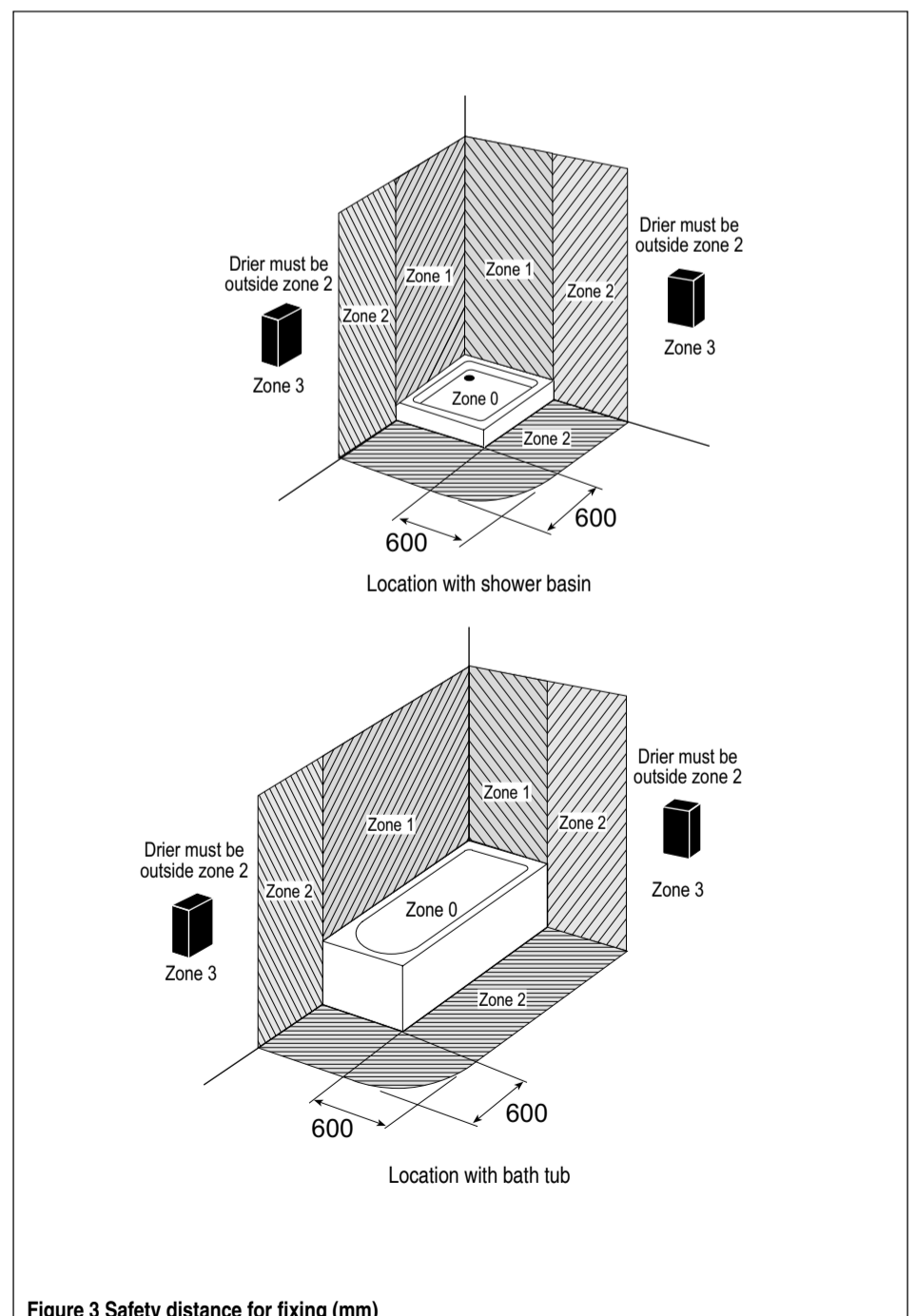


Figure 3 Safety distance for fixing (mm)

3 SITE REQUIREMENTS

- 3.1 The mounting plate for the drier must be fixed onto a finished wall surface (or on top of the tiles).
- 3.2 DO NOT tile up to unit after fixing to the wall.
- 3.3 DO NOT seal the gap between the unit and the wall as this is the air intake.
- 3.4 The product is NOT SUITABLE for mounting into steam rooms or steam cubicles.
- 3.5 Where the drier is fitted in a room containing a fixed bath or shower the drier must be installed to comply with BS7671 regulation 601-02-01 classification of zones, which details the minimum distance away from a bath or shower basin which the drier can be fitted - see figure 3.

ELECTRICAL

- 3.6 Before fitting the unit, ensure that the consumer unit and any switches are suitable for the additional load. If in doubt, contact your electricity supplier.
- 3.7 Only use the designated entry point for electrical cable - see figure 2.
- 3.8 The installation must comply with BS 7671 'Requirements for electrical installations' (IEE Wiring Regulations).
- 3.9 Ensure that the terminal block connections are sufficiently tight.
- 3.10 Where the drier is installed in a room containing a fixed bath or shower it is recommended that a 30A residual current device (RCD) be installed in the drier circuit. This may be part of the consumer unit or a separate unit.
- 3.11 Before making any electrical connection ensure that no terminal within the circuit is live. If in any doubt, SWITCH OFF the whole installation at the consumer unit.
- 3.12 The drier must only be connected to a 230-240V ac supply.
- 3.13 The earthing and protective conductor arrangement within the property, in particular the supplementary bonding in the room containing the drier, should comply with BS 7671.

5

- 3.14 Ensure that the supply cable and fuse are sufficient for the rated input of your unit. Please refer to the rating label on the bottom of the unit.
- 3.15 A minimum cable size of 1.5mm² should be used. The drier can be connected in two different ways.
 1. Via a fused and switched connection unit taken as a spur from a 13A ring main.
 2. As a separate circuit taken directly from a spare way in a consumer unit.
 In each case a double pole isolating switch having a contact separation of at least 3mm in each pole and a minimum rating of 13A must be incorporated in the wiring to the unit.

4 FITTING TO WALL

- 4.1 Remove the mounting plate from the drier by sliding it out from the bottom.

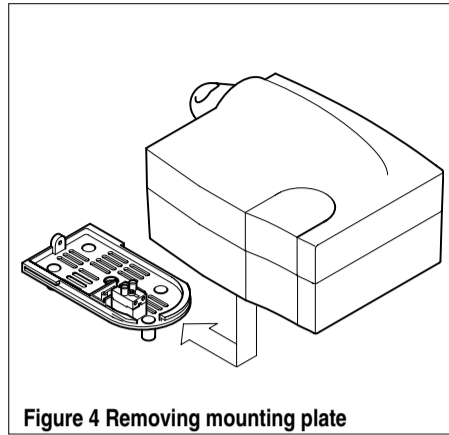


Figure 4 Removing mounting plate

- 4.2 Decide on the position of the drier giving full consideration to the electrical connections and to the required safety distance from a bath or shower as shown in figure 3.

- 4.3 Use the mounting plate as a template to mark the positions of the four screw fixings and the electric cable entry point.

Note that the recommended height of the drier outlet is 1050mm above the floor - see figure 2.

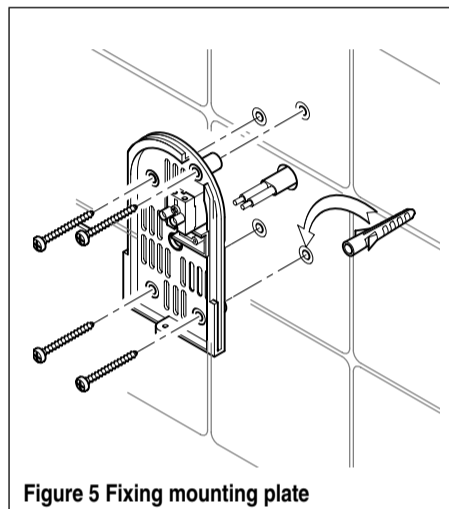


Figure 5 Fixing mounting plate

6

- 4.4 Make cable run to the entry point, ideally the cable should come out of the wall in the correct position.
 - 4.5 Drill four 8mm diameter holes for the rawl plugs supplied (if used).
 - 4.6 Screw the mounting plate on the wall with the cable passing through the entry hole.
 - 4.7 Make electrical connections as shown in figure 6 ensuring screws are tight.
- Note - there is no earth connection required.
- 4.8 Position the drier on the mounting plate and slide downwards until locked in place. Secure with the screw supplied.
 - 4.9 Switch on electrical supply.
 - 4.10 Check operation of the drier; when hands are placed under the outlet the drier should start automatically, blowing out warm air. When hands are moved away from the outlet the drier should stop automatically.

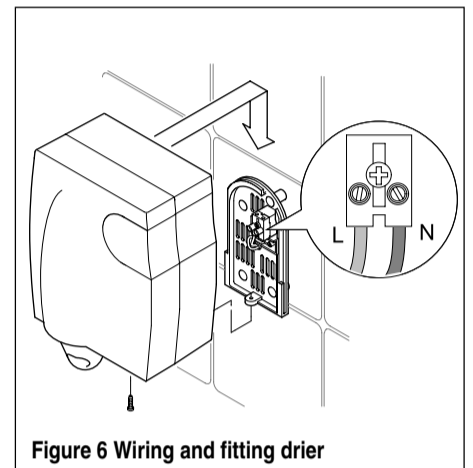


Figure 6 Wiring and fitting drier

5 USER INSTRUCTIONS

- 5.1 Place hands under outlet of the drier. The drier will start automatically.
- The drier is switched on by sensors that detect when your hands are under the unit. There is no need to touch or bang the unit to start it. When hands are moved away from the outlet the drier will stop automatically.

MAINTENANCE

- 5.2 It is advised that before cleaning, the isolating switch is turned off, thus avoiding accidental operation of the drier.

- 5.3 Clean the drier case using a soft cloth.
- 5.4 Do not use abrasive or solvent cleaning fluids

IMPORTANT

- 5.5 Do not use a water jet or wet sponge or other methods of cleaning that could cause liquid to enter the casing. Liquid entering the case will present an electric shock hazard and damage the unit.

- 5.6 Santon recommend that in the interest of safety the drier and its electrical installation is checked by a qualified electrician at least every two years.

6 FAULT FINDING

- 6.1 If the drier fails to operate check the fuse protecting the unit. If a failed fuse is not the cause of the problem contact Santon service department.

7

7 SPARE PARTS

- 7.1 A full range of spare parts is available for this product. See figure 7. Please consult your local Santon stockist for any requirements you may have or contact Santon directly.

8 GUARANTEE & SERVICE POLICY

This product is guaranteed against faulty materials and manufacture for a period of two years from the date of purchase provided that:-

- 8.1 The unit has been installed in accordance with the Installation and User Instructions and all relevant Codes of Practice and Regulations in force at the time of installation, and that all necessary controls and safety valves have been fitted correctly.

- 8.2 The unit has not been modified or tampered with in any way, and has been regularly maintained as detailed in the Installation and User Instructions.

- 8.3 The unit has been used only as described in these instructions.

This guarantee in no way affects the statutory rights of the consumer.

The policy of Santon is one of continuous product development and, as such, we reserve the right to change specifications without notice.

9 ENVIRONMENTAL INFORMATION

- 9.1 Santon products are manufactured from many recyclable materials. At the end of their useful life they should be disposed of at a Local Authority Recycling Centre in order to realise the full environmental benefits.

8

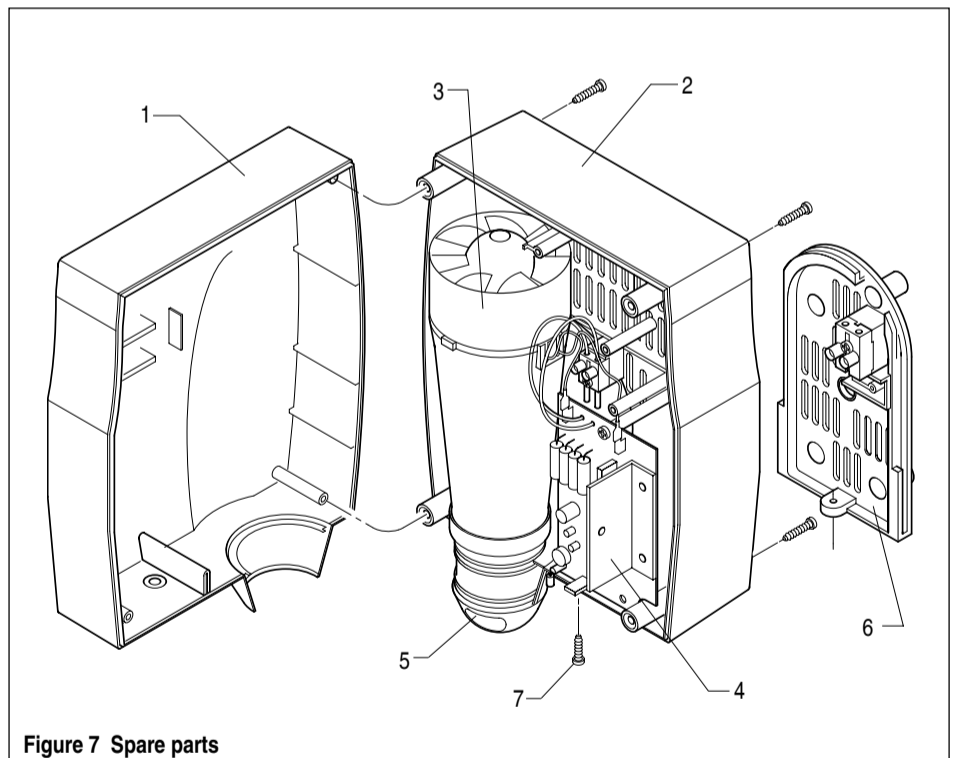


Figure 7 Spare parts

Item	Description	Spares No.
1	Front cover	95:614:282
2	Lower housing	95:614:283
3	Fan & heater unit	95:601:721
4	Circuit board	95:615:042
5	Air outlet nozzle	95:604:676
6	Mounting plate	95:614:284
7	Screw	95:607:901

SANTON,

Hurricane Way,
Norwich,
Norfolk NR6 6EA.
Tel: (01603) 420140
www.santon.co.uk

Service

Tel: (01603) 420347
Fax: (01603) 420349
email:service@santon.co.uk

Sales

Tel: (01603) 420130
Fax: (01603) 420149
email:sales@santon.co.uk

Due to continuous improvement and updating, specifications may be altered without prior notice.