

SANTON

Aqua-dri

Hand Drier

Hand Hygiene



Aqua-dri

Efficient and Economical Hand Drying

Aqua-dri electronic warm air hand driers offer many benefits when compared to other methods of drying hands.

They are economical and efficient to run, being fully automatic and operating only when hands are placed below the unit for drying. In use, they provide a comfortable combination of temperature and airflow to give safe and effective drying.

Compact in size, Aqua-dri requires little wall space for installation, and avoids the issues associated with other forms of hand drying such as the need for continual replenishment of clean materials and subsequent disposal of waste.

The Santon Aqua-dri combines value-for-money with compact stylish design, fully automatic 'No-Touch' operation and is suitable for domestic and light commercial applications.



Features and Benefits

Performance

Energy efficient - automatic 'Touch Free' (proximity sensor) operation with auto switch-off.

Design

Slimline design - only 110mm deep, suitable for confined areas.
Aesthetics - attractive styling to fit in with today's work environment.

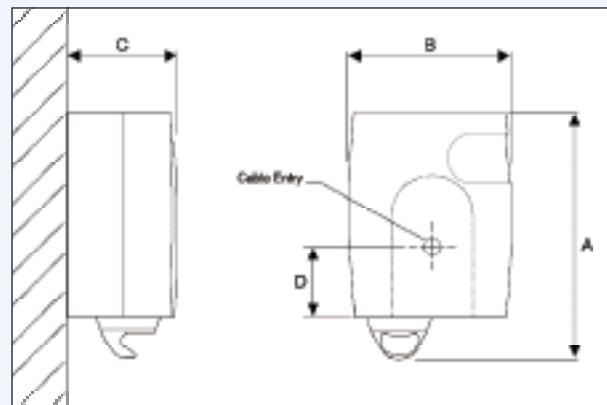
Installation

Small footprint - requires only small amount of wall space.
Electrical connection - unit attaches to pre-fitted & wired wall plate for ease of installation.
Concealed connections - electrical supply made from rear of unit for neater, tidier installation.

The pace of product development is such that we reserve the right to change product specifications without notice. We do, however, strive to ensure that all information in this catalogue is accurate at the time of going to publication.

Aqua-dri

Technical Specification



Dimensions

Model	A (mm)	B (mm)	C (mm)	D (mm)	Weight (kg)
Aqua-dri 1.5	250	175	110	70	0.75

Ordering Guide

Model	Product Code	Rating
Aqua-dri 1.5	94 020 009	6.4A/1500W @ 240V single phase AC 6.1A/1400W @ 230V single phase AC

Outer Casing

Impact resistant ABS plastic.

Motor/Fan

Air Volume 15 ltr/s.
Air Velocity 16 m/s.
Relative drying time 35s.

Safety Features

Fully automatic ON/OFF switching.
Self re-setting thermal cut-out.
Thermal fuse.
IP rating 23.

Electrical

The installation must comply with BS 7671 'Requirements for Electrical Installations' (IEE Wiring Regulations).
It must be permanently connected to the electrical supply through a 13A double pole linked isolating switch with a minimum contact separation of 3mm in each pole. Where the drier is fitted in a room containing a fixed bath or shower the drier must be installed to comply with BS7671

regulation 601-02-01 Classification Zones, which details the safe distance away from a bath or shower basin which the drier can be fitted. Minimum cable size - 1.5mm²

Fixing

Mounting plate is secured to wall by four fixing screws, and electrical connections are made. Drier unit is then attached and secured with fixing screw.

Approvals

Complies with the requirement of EN 60335-2-23 and European Community Directives (CE).

Guarantee

Two years product guarantee, from date of purchase, with on-site service support. Full details are contained in the installation instructions supplied with each unit.



SANTON

Santon, Hurricane Way,
Norwich, Norfolk, NR6 6EA

MAIN NUMBER Tel: 01603 420140

SALES Tel: 01603 420130 Fax: 01603 420149
E-MAIL sales@santon.co.uk

SERVICE Tel: 01603 420347 Fax: 01603 420349
E-MAIL service@santon.co.uk

SPECIFICATION Tel: 01603 420128 Fax: 01603 420229
E-MAIL specifier@santon.co.uk

WEBSITE www.santon.co.uk